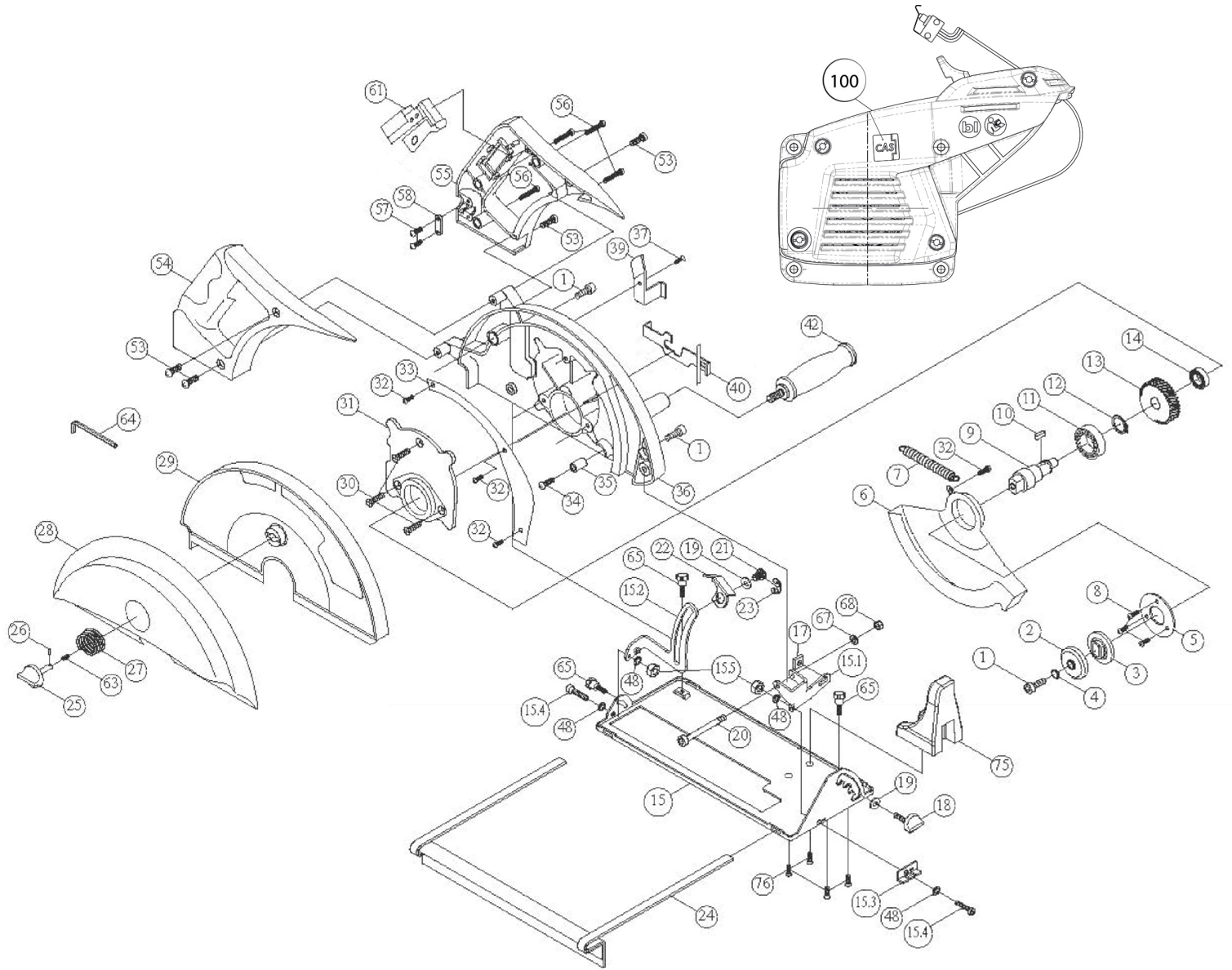


# Hand Dry Cutter 8203E



| ITEM        | PART NO                     | Q'TY | PART NAME  |                   | Price in € excl. VAT   |
|-------------|-----------------------------|------|--|-------------------|--|
| 1-4.)       | <a href="#">JEP23003SET</a> | 1    | 1 x ARBOR BOLT, 1 x OUTER ARBOR FLANGE, 1x INNER FLANGE. 1x FLAT WASHER    |                   | 45,00 €  |
| 5.)         | <a href="#">JEP23005</a>    | 1    | BEARING COVER PLATE  |                   | <a href="#">80.) JEP23005SET</a>   |
| 6.)         | <a href="#">JEP20006</a>    | 1    | LOWER RETRACTING BLADE GUARD (8")(SILVER)                                  |                   | <a href="#">81.) JEP20006SET</a>   |
| 7.)         | <a href="#">JEP23007</a>    | 1    | SPRING (Ø0.5xØ4x65T)   | Ø0.5 x Ø4 x 65T   | <a href="#">81.) JEP20006SET</a>   |
| 8.)         | <a href="#">JEP23008</a>    | 3    | PAN HEAD SCREW   | M4 x 8            | <a href="#">80.) JEP23005SET</a>   |
| 9.)         | <a href="#">JEP20009</a>    | 1    | SPINDLE (49.8MM)   |                   | 23,10 €  |
| 10.)        | <a href="#">JEP20010</a>    | 1    | PARALLEL KEY (5x5x12)  | M5 x 12           | 1,70 €   |
| 11.)        | <a href="#">JEP23011</a>    | 1    | BALL BEARING (6202)  | 6202-2NSE NACHI   | 23,10 €  |
| 12.)        | <a href="#">JEP23012</a>    | 1    | EXTERNAL CIRCLIP (S-15)  | S-15              | 0,60 €   |
| 13.)        | <a href="#">JEP20013</a>    | 1    | OUTPUT GEAR (M1.0x41T)   | 41T               | 32,00 €  |
| 14.)        | <a href="#">JEP23014</a>    | 1    | BALL BEARING (608)   | 608 zz NMB        | 7,30 €   |
| 15.)        | <a href="#">JEP20015</a>    | 1    | BASE ASSEMBLY  |                   | 70,20 €  |
| 15-1.)      | <a href="#">JEP20015N1</a>  | 1    | BASE   |                   | <a href="#">82.) JEP20015N1SET</a>   |
| 15-2.)      | <a href="#">JEP23015N1</a>  | 1    | PIVOT BRACKET  |                   | <a href="#">83.) JEP23015N1SET</a>   |
| 15-3.)      | <a href="#">JEP20015N2</a>  | 1    | DEPTH ADJUSTMENT TRACK   |                   | <a href="#">84.) JEP20015N3SET</a>   |
| 15-4.)      | <a href="#">JEP23015N3</a>  | 1    | SIGHTING NOTCH   |                   | <a href="#">83.) JEP23015N1SET</a><br><a href="#">84.) JEP20015N3SET</a>                                       |
| 15-5.)      | <a href="#">JEP23015N4</a>  | 2    | SOCKET CAP SCREW (M5x16xP0.8)  | M5 x 16           | <a href="#">83.) JEP23015N1SET</a>   |
| 15-6.)      | <a href="#">JEP23015N5</a>  | 2    | NYLOCK NUT (M5xP0.8)   | M5                | 0,60 €   |
| 17.)        | <a href="#">JEP23017</a>    | 1    | BEVEL LOCKING BLOCK  |                   | <a href="#">82.) JEP20015N1SET</a>   |
| 18.)        | <a href="#">JEP23018</a>    | 1    | BEVEL LOCK KNOB (M8x12)(ORANGE-021C)                                       |                   | 4,00 €   |
| 19.)        | <a href="#">JEP23019N</a>   | 1    | FLAT WASHER (Ø11.5xØ24x2.5)(BLACK)   | Ø11.5 x Ø24 x 2.5 | <a href="#">85.) JEP23022SET</a>   |
| 20.)        | <a href="#">JEP23020</a>    | 1    | SOCKET CAP SCREW-PARTIAL THREAD (M6x40xP1.0)                               | M6 x 40 x 9mm     | <a href="#">82.) JEP20015N1SET</a>   |
| 21.)        | <a href="#">JEP23021</a>    | 1    | DEPTH LOCK PIN (M8x12)   | M8 x 12           | <a href="#">85.) JEP23022SET</a>   |
| 22.)        | <a href="#">JEP23022</a>    | 1    | DEPTH LOCK LEVER   |                   | <a href="#">85.) JEP23022SET</a>   |
| 23.)        | <a href="#">JEP23023</a>    | 1    | E-CLIP (E-10)  | E-10              | <a href="#">85.) JEP23022SET</a>   |
| 24.)        | <a href="#">JEP20024</a>    | 1    | RIP FENCE  |                   | 18,00 €  |
| 25.)        | <a href="#">JEP23025</a>    | 1    | COVER LOCK KNOB (Ø8x26)(ORANGE-021C)                                       | Ø8 x 26           | <a href="#">86.) JEP20028SET</a>   |
| 26.)        | <a href="#">JEP23026</a>    | 1    | PIN (Ø4x14)  | Ø4 x 14           | <a href="#">86.) JEP20028SET</a>   |
| 27.)        | <a href="#">JEP23027</a>    | 1    | SPRING (Ø2.3x4T)   | Ø2.3 x 4T         | <a href="#">86.) JEP20028SET</a>   |
| 28.)        | <a href="#">JEP20028</a>    | 1    | OUTER BLADE COVER (8")   |                   | <a href="#">86.) JEP20028SET</a>   |
| 29.)        | <a href="#">JEP20029</a>    | 1    | INNER BLADE COVER (8")(ORANGE-021C)  |                   | 45,00 €  |
| 30.)        | <a href="#">JEP23030N</a>   | 3    | TRUSS HEAD MACHINE SCREW (M5x15xP0.8)                                      | M5 x 15           | <a href="#">87.) JEP20031SET</a>   |
| 31.)        | <a href="#">JEP20031</a>    | 1    | GEAR PLATE (8")  |                   | <a href="#">87.) JEP20031SET</a>   |
| 32.)        | <a href="#">JEP23032</a>    | 4    | PANHEAD MACHINE SCREW (M4x6xP0.7)  | M4 x 6            | <a href="#">81.) JEP20006SET</a><br><a href="#">88.) JEP20033SET</a>   |
| 33.)        | <a href="#">JEP20033</a>    | 1    | DUST COVER PLATE (8')  |                   | <a href="#">88.) JEP20033SET</a>   |
| 34.)        | <a href="#">JEP23034</a>    | 1    | PANHEAD MACHINE SCREW (M6x16xP1.0)   | M6 x 16           | 0,60 €   |
| 35.)        | <a href="#">JEP23035</a>    | 1    | BUMP STOP  |                   | 1,20 €   |
| 36.)        | <a href="#">JEP20036</a>    | 1    | GEAR HOUSING (8")(SILVER)  |                   | 139,80 €   |
| 37.)        | <a href="#">JEP23037</a>    | 4    | FLAT HEAD MACHINE SCREW (M4x8xP0.7)  | M4 x 8            | 0,60 €   |
| 39.)        | <a href="#">JEP20039</a>    | 1    | MOTOR CABLE COVER PLATE (8')(BLACK)  |                   | 1,70 €   |
| 40.)        | <a href="#">JEP23040</a>    | 1    | BLADE LOCK COVER   |                   | 10,70 €  |
| 48.)        | <a href="#">JEP23048</a>    | 8    | FLAT WASHER (Ø5xØ12x1)   | Ø5 x Ø12 x 1      | <a href="#">82.) JEP20015N1SET</a><br><a href="#">83.) JEP23015N1SET</a><br><a href="#">84.) JEP20015N3SET</a> |
| 53.)        | <a href="#">JEP23053</a>    | 4    | PANHEAD MACHINE SCREW-W/WASHER   | M5 x 16           | 0,60 €   |
| 54.)        | <a href="#">JEP23054S</a>   | 1    | MAIN HANDLE SET (RIGHT+LEFT) (BLACK)                                       |                   | 41,60 €  |
| 56.)        | <a href="#">JEP23056</a>    | 4    | PANHEAD TAPPING SCREW-B (M4x25)  | M4 x 25           | 0,60 €   |
| 61.)        | <a href="#">JEP23061</a>    | 1    | SWITCH (110V&220V)   | LOCK OFF          | 46,60 €  |
| 63.)        | <a href="#">JEP23063</a>    | 1    | SOCKET SET SCREW (M4x4xP0.7)   | M4 x 4            | <a href="#">86.) JEP20028SET</a>   |
| 64.)        | <a href="#">JEP23064</a>    | 1    | SOCKET HEX KEY (M6)  | M6                | 1,70 €   |
| 65.)        | <a href="#">JEP23065N</a>   | 3    | AXLE BUSHING (M5x10xP0.8)  | M5 x 10           | 1,20 €   |
| 67.)        | <a href="#">JEP23067</a>    | 2    | FLAT WASHER (Ø6xØ13x1)   | Ø6 x Ø13 x 1      | <a href="#">82.) JEP20015N1SET</a>   |
| 68.)        | <a href="#">JEP23068</a>    | 1    | NYLOCK NUT (M6xP1.0)   | M6                | <a href="#">82.) JEP20015N1SET</a>   |
| 75.)        | <a href="#">JEP23075</a>    | 1    | SIDE HANDLE BASE BRACKET (SILVER)  |                   | <a href="#">90.) JEP23075SET</a>   |
| 76.)        | <a href="#">JEP23076</a>    | 4    | FLAT HEAD MACHINE SCREW (M5x10xP0.8)                                       | M5 x 10           | <a href="#">90.) JEP23075SET</a>   |
| 77.)        | <a href="#">JEP23079N</a>   | 1    | SOCKET CAP SCREW (M8x20xP1.25)   | M8 x 20           | 0,60 €   |
| 78.)        | <a href="#">JEP23078N</a>   | 1    | FLAT WASHER (Ø8xØ20x1)   | Ø8 x Ø20 x 1      | 0,60 €   |
| 79-2.)      | <a href="#">JEP23079N</a>   | 1    | PANHEAD TAPPING SCREW-B (M5x20)  | M5 x 20           | 0,60 €   |
| 100.)       | <a href="#">JEP230100E</a>  | 1    | MOTOR ENGINE ASSEMBLY  |                   | 198,00 €   |
| <b>SETS</b> |                             |      |  |                   |  |
| 80.)        | <a href="#">JEP23005SET</a> | 1    | BEARING COVER PLATE (5) / 3x PAN HEAD SCREW (8)                            |                   | 3,40 €   |
| 81.)        | <a href="#">JEP20006SET</a> | 1    | LOWER RETRACTING BLADE GUARD (6) / SPRING (7) / PANHEAD MACHINE SCREW (32) |                   | 37,10 €  |

|      |                               |   |  |         |
|------|-------------------------------|---|--|---------|
| 82.) | <a href="#">JEP20015N1SET</a> | 1 | BASE (15-1) / BEVEL LOCKING BLOCK (17) / SOCKET CAP SCREW-PARTIAL<br>THREAD (20) / FLAT WASHER (48) / FLAT WASHER (67) / NYLOCK NUT (68) | 75,30 € |
| 83.) | <a href="#">JEP23015N1SET</a> | 1 | PIVOT BRACKET (15-2) / SIGHTING NOTCH (15-4) /<br>SOCKET CAP SCREW (15-5) / 2x FLAT WASHER (48)  | 14,70 € |
| 84.) | <a href="#">JEP20015N2SET</a> | 1 | DEPTH ADJUSTMENT TRACK (15-3) / SIGHTING NOTCH<br>(15-4) / FLAT WASHER (48)  | 22,50 € |
| 85.) | <a href="#">JEP23022SET</a>   | 1 | FLAT WASHER (19) / DEPTH LOCK PIN (21) / DEPTH<br>LOCK LEVER (22) / E-CLIP (23)  | 6,20 €  |
| 86.) | <a href="#">JEP20028SET</a>   | 1 | COVER LOCK KNOB (25) / PIN (26) / SPRING (27) /<br>OUTER BLADE COVER (28) / SET SCREW (63)   | 59,00 € |
| 87.) | <a href="#">JEP20031SET</a>   | 1 | 3x TRUSS HEAD MACHINE SCREW (30) / GEAR PLATE (31)   | 51,80 € |
| 88.) | <a href="#">JEP20033SET</a>   | 1 | 3x PANHEAD MACHINE SCREW (32) / DUST COVER PLATE (33)  | 9,60 €  |
| 90.) | <a href="#">JEP23075SET</a>   | 1 | SIDE HANDLE BASE BRACKET (75) / 4x FLAT HEAD MACHINE SCREW (76)  | 30,90 € |