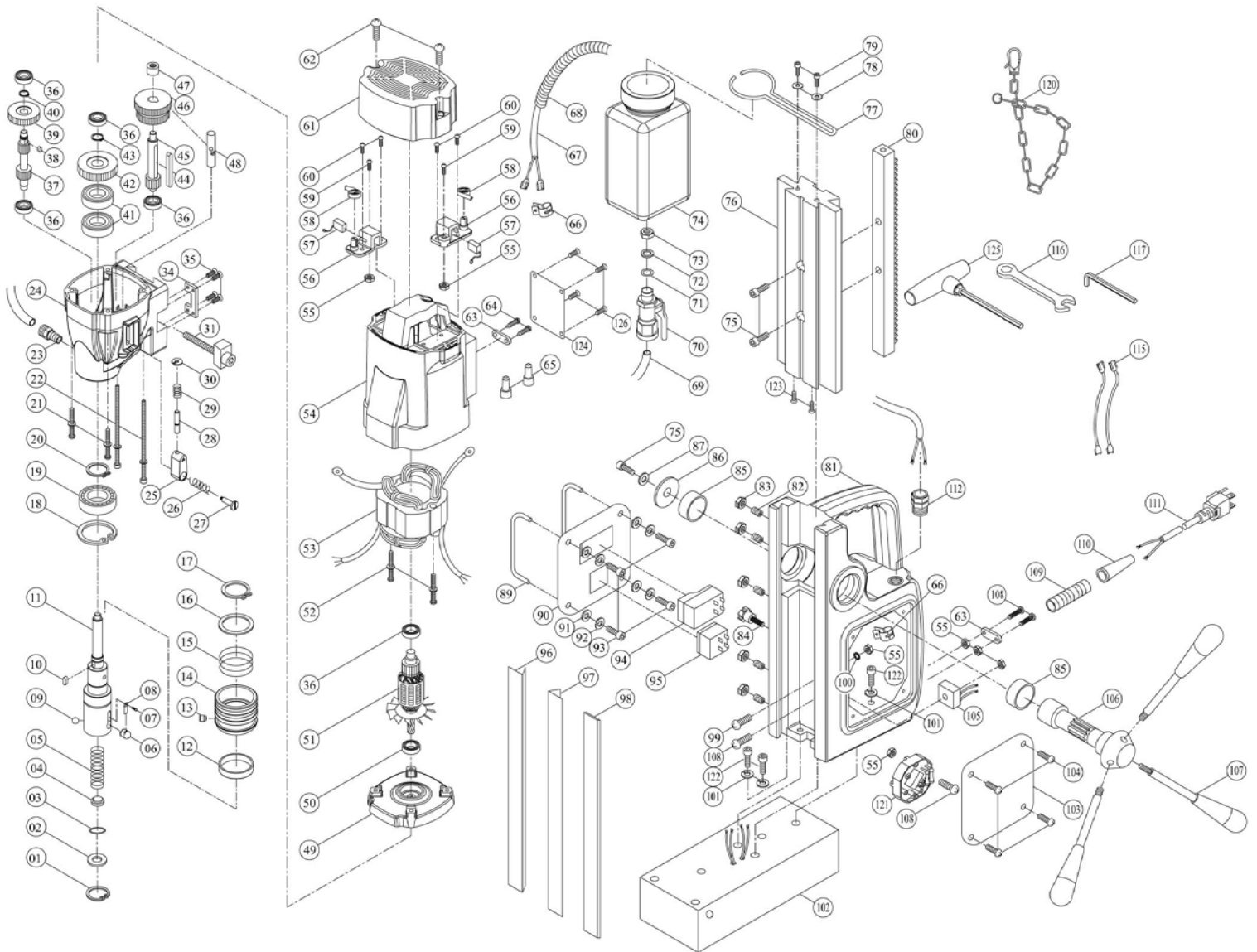


MAGPRO 50/2s Adjust



ITEM	PART NO	Q'TY	PART NAME		Price in € excl. VAT
1.)	MA351S001	1	INTERNAL CIRCLIP	R-19	0,60 €
2.)	MA351S002	1	ARBOR WASHER	φ10 x φ18.5 x 0.8	0,60 €
3.)	MA351S003	1	O-RING	φ12 x φ20 x 4	0,60 €
4.)	MA351S004	1	COOLANT SEAL		2,30 €
5.)	MA50A005	1	SPRING	φ1.2 x φ10.1 x φ12.5	1,20 €
6.)	MA50A006	1	LOCKING PIN 12.3mm	12.3 mm	7,90 €
7.)	MA351S007	1	SCREW	M3 x 4	0,60 €
8.)	MA351S008	1	LOCKING PIN SPRING		1,70 €
9.)	MA351S009	1	CHECK BALL	φ8	1,20 €
10.)	MA351S010	1	PARALLEL KEY	5 x 5 x 10	1,70 €
11.)	MA50A011	1	SPINDLE MP50/Adjust		133,70 €
12.)	MA351S012	1	RING	φ40 x φ44 x 9	1,70 €
13.)	MA351S013	1	COLLAR PIN		3,40 €
14.)	MA351S014	1	QUICK-RELEASE COLLAR		53,90 €
15.)	MA351S015	1	SPRING	φ2 x φ39 x φ43 x 3Tx	1,70 €
16.)	MA351S016	1	SPRING SEAT RING	φ35.1 x φ44.5 x 2	3,40 €
17.)	MA351S017	1	EXTERNAL CIRCLIP	S-35	0,60 €
18.)	MA351S018	1	INTERNAL CIRCLIP	R-47	1,20 €
19.)	MA351S019	1	BEARING	6005 zz TPI	30,40 €
20.)	MA351S020	1	EXTERNAL CIRCLIP	S-25	0,60 €
21.)	MA351S021	2	SCREW	M5 x 65	0,60 €
22.)	MA50A022	2	SCREW	M5 x 110	1,70 €
23.)	MA50A023	1	PUSH LOCK FITTING		4,50 €
24.)	MA50A024	1	GEAR CASE		149,40 €
25.)	MA50A025	1	SELECTOR TAB		5,70 €
26.)	MA50A026	1	SPRING	φ1 x φ9 x φ11 x 4Tx 1	0,60 €
27.)	MA50A027	1	SHOULDER SCREW		6,20 €
28.)	MA50A028	1	DETENT PIN		2,30 €
29.)	MA50A029	1	SPRING	ψ5.3 x ψ6.5 x 5Tx 17L	0,60 €
30.)	MA50A030	1	E-CLIP	E-3	0,60 €
31.)	MA352S31	1	SLIDE HEIGHT LOCK		50,60 €
34.)	MA351S034	1	LOCK BRACKET		4,50 €
35.)	MA50A035	4	FLAT HEAD SCREW	M4 x 10	0,60 €
36.)	MA351S036	5	BEARING	608 zz NMB	7,30 €
37.)	MA50A037	1	INPUT PINION	M1.0 x 11T & 15T	48,90 €
38.)	MA352S38	1	PARALLEL KEY	4 x 4 x 8	1,20 €
39.)	MA351S039	1	INPUT GEAR	M1.0 x 36T	32,00 €
40.)	MA351S040	1	EXTERNAL CIRCLIP	S-10	0,60 €
41.)	MA351S041	2	OIL SEAL	φ25 x φ40 x 7	2,90 €
42.)	MA50A042	1	OUTPUT GEAR	M1.25 x 39T	41,00 €
43.)	MA351S043	1	EXTERNAL CIRCLIP	S-15	0,60 €
44.)	MA50A044	1	PARALLEL KEY	M5 x 5 x 50	2,30 €
45.)	MA50A045	1	INTERMEDIATE GEAR PINION	M1.25 x 10T	38,20 €
46.)	MA50A046	1	INTERMEDIATE GEAR	M1.0 x 46T & 42T	90,40 €
47.)	MA351S047	1	NEEDLE BEARING	HK 0810 IKO	7,30 €
48.)	MA50A048	1	SELECTOR FORK		11,30 €
49.)	MA351S049	1	GEAR PLATE		37,70 €
50.)	MA50A050	1	BEARING	6001-LLU TPI	19,70 €
51.)	MA50A51	1	ARMATURE 220V	7T	107,80 €
52.)	MA351S052	2	SCREW	M5 x 60	0,60 €
53.)	MA50A053	1	STATOR 220V		71,90 €
54.)	MA50A054	1	MOTOR HOUSING	MP 50Adjust Flat	31,50 €
55.)	MA351S055	8	NUT	M4 x 8	0,60 €
56.)	MA351S056	1	BRUSH HOLDER SET	2 pieces	9,00 €
57.)	MA3532	1	CARBON BRUSH (SET) 2 Pieces	7*11	23,10 €
61.)	MA50A061	1	MOTOR TAIL COVER		10,20 €
62.)	MA351S062	2	SCREW	M4 x 25	0,60 €
63.)	MA351S063	2	CABLE CLIP		0,60 €
64.)	MA351S064	2	SCREW	M4 x 14	0,60 €
65.)	MA351S065	3	END SPLICE TERMINAL	C4	0,60 €
66.)	MA351S066	2	CABLE CLAMP		1,20 €
67.)	MA351S67	1	MOTOR CABLE	1.25 x 2C x 65CM	6,80 €
68.)	MA50A068	1	CABLE PROTECTOR	40cm	2,90 €
69.)	MA351S69	1	COOLANT TUBE	20cm	0,60 €
70-74.)	MA3547SET	1	COOLANT TANK SET		27,00 €

MP 50 2S Adjust | 490170 2

75.)	MA351S075	3	SOCKET CAP BOLT	M6 x 16	0,60 €
76.)	MA351S076	1	SLIDE		107,30 €
77.)	MA3546	1	COOLANT TANK BRACKET		3,40 €
78.)	MA3545	2	FLAT WASHER	ψ5 x ψ12 x 1	0,60 €
79.)	MA351S79	2	SOCKET CAP SCREW	M5 x 16	0,60 €
80.)	MA351S080	1	GEAR RACK		19,10 €
81.)	MA351S081	1	STAND BODY		265,00 €
82.)	MA351S082	5	GIB SET SCREW	M5 x 20	0,60 €
83.)	MA351S083	5	GIB LOCK NUT	M5	0,60 €
84.)	MA351S084	1	THUMB SCREW	M5 x 16	2,90 €
85.)	MA351S085	2	BUSHING	ψ28 x ψ32 x 12	1,70 €
86.)	MA351S086	1	FLAT WASHER	ψ6 x ψ40 x 2.5	1,20 €
87.)	MA351S087	1	FLAT WASHER	ψ6 x ψ25 x 1	0,60 €
89.)	MA351S089	2	SWITCH GUARD BAR		6,80 €
90.)	MA351S090	1	SWITCH PANEL		5,10 €
91.)	MA351S091	7	FLAT WASHER	ψ4 x ψ10 x 1	0,60 €
92.)	MA351S092	4	SPRING WASHER	M4	0,60 €
93.)	MA351S093	4	SOCKET CAP SCREW	M4 x 16	0,60 €
94.)	MA3559	1	MOTOR SWITCH		52,30 €
95.)	MA3560	1	MAGNET SWITCH		8,50 €
96.)	MA351S096	1	GIB STRIP - LEFT		13,50 €
97.)	MA351S097	1	GIB STRIP - RIGHT		13,50 €
98.)	MA351S098	1	GIB TENSIONER	260 x 11 x 2.3	2,90 €
99.)	MA351S099	1	SCREW	M4 x 16	0,60 €
100.)	MA351S100	1	STAR WASHER	M5	0,60 €
101.)	MA351S101	3	SPRING WASHER	M6	0,60 €
102.)	MA351S102	1	MAGNET BASE	176 x 90 x 55.5	344,10 €
103.)	MA351S103	1	SIDE PANEL		5,70 €
104.)	MA351S104	4	SCREW	M4 x 8	0,60 €
105.)	MA351S105	1	RECTIFIER & EMC	220 V	39,90 €
106.)	MA351S106	1	CRANK SPINDLE		64,00 €
107.)	MA351S107	3	CRANK LEVER		12,40 €
108.)	MA351S108	2	SCREW	M4 x 30	0,60 €
109.)	MA351S109	1	STRAIN RELIEF	7cm	0,60 €
110.)	MA351S110	1	CORD ARMOR		0,60 €
111.)	MA3586	1	POWER SUPPLY CABLE	1.0 x 3C x 2.5M	27,00 €
112.)	MA351S112	1	CABLE GLAND		7,90 €
114.)	MA351S114	2	LEAD WIRE Yellow	18CM	1,70 €
115.)	MA351S115	4	LEAD WIRE Black	18CM	1,70 €
116.)	MA351S116	1	M8 COMBINATION WRENCH	M8	4,50 €
117.)	MA351S117	1	M2.5 L-HEX KEY	M2.5	0,60 €
118.)	MA351S118	1	M4 L-HEX KEY	M4	0,60 €
120.)	MA351S120	1	SAFETY CHAIN		15,20 €
122.)	MA351S122	3	SOCKET CAP BOLT	M6 x 20	0,60 €
123.)	MA351S123	2	TRUSS HEAD SCREW	M4 x 6	0,60 €
124.)	MA50A124	1	MOTOR COVER PLATE		2,30 €
125.)	MA351S125	1	T-HANDLE HEX KEY-M6	M6	6,80 €
126.)	MA351S126	4	FLAT HEAD SCREW	M4 x 8	0,60 €
127.)	MA351S127	1	RUBBER WASHER	M4	0,60 €
128.)	MA351S128	4	SPADE TERMINAL		0,60 €
129.)	MA351S129	3	SCREW	M4 x 25	0,60 €
130.)	MA351S130	1	ZIP TIE		0,60 €
131.)	MA351S131	8	TERMINAL COVER		0,60 €
132.)	MA351S132	1	CHIP GUARD		5,70 €
133.)	MA351S133	2	FLAT WASHER	ψ6 x ψ13 x 1	0,60 €
134.)	MA351S134	2	BUTTERFLY SCREW	M6 x 10	2,30 €
135.)	MA351S135	2	BRUSH CAP	M8 x 7	2,30 €
140.)	MA50A140	1	EARTHING MARKING		0,60 €
141.)	MA50A141	1	FAN SHROUD		4,00 €