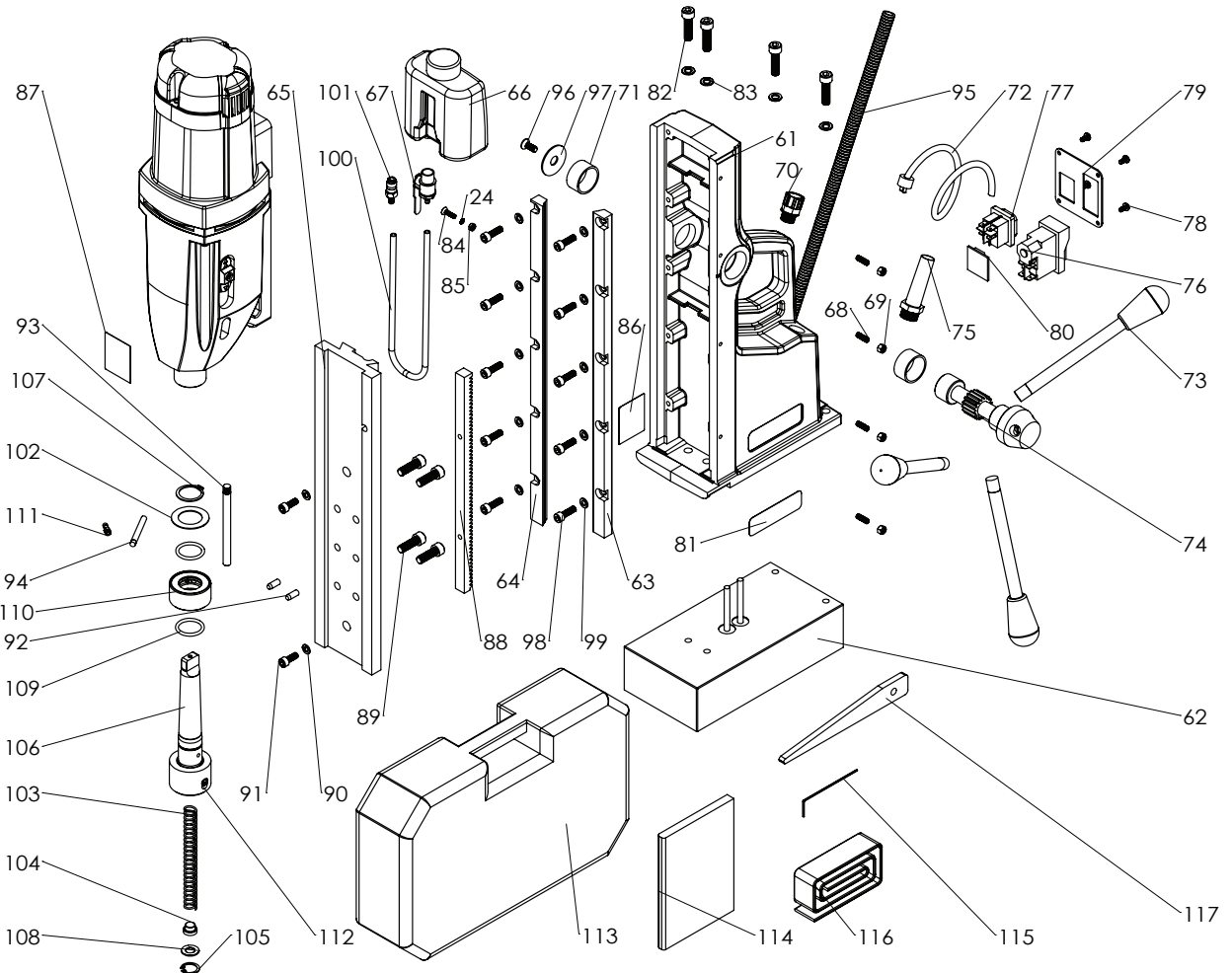
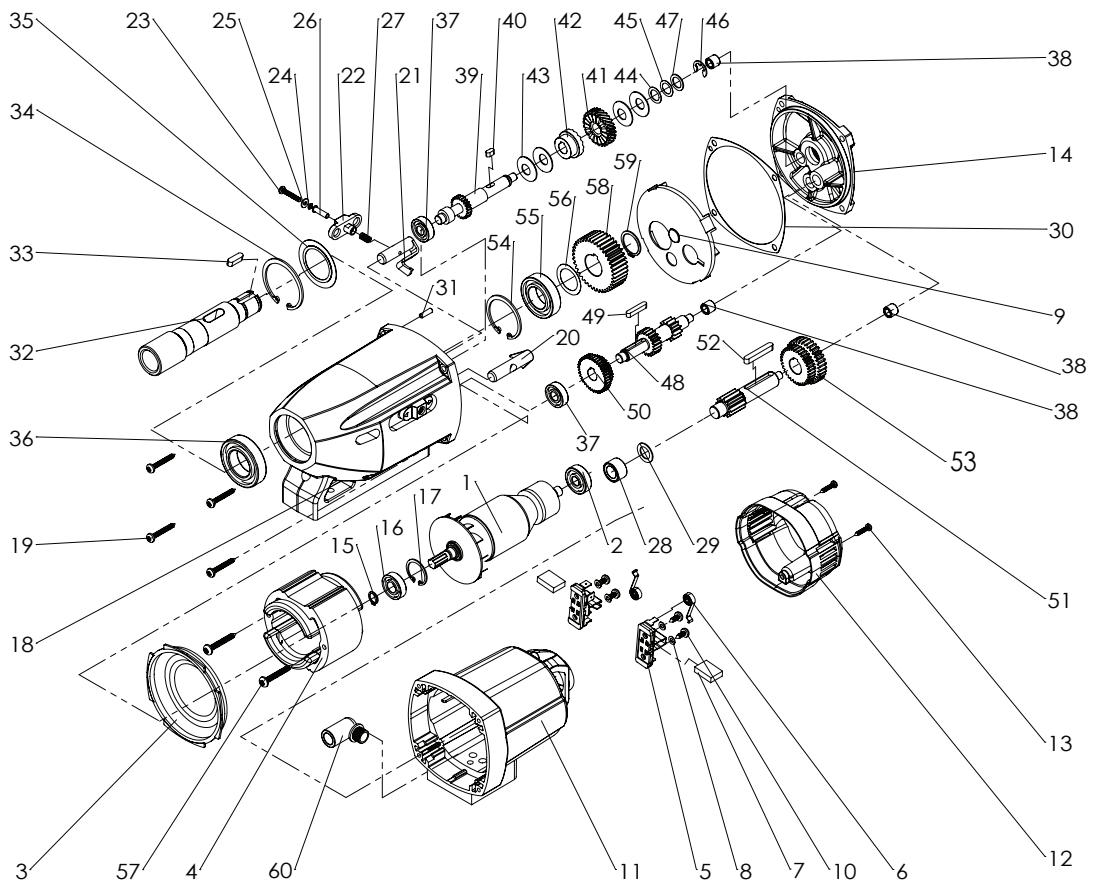


MagPro 80 4S



ITEM	PART NO	Q'TY	PART NAME		Price in € excl. VAT
1.)	MA804S001UK	1	Armature	(115V)	243.71 €
1.)	MA804S001	1	Armature	(230V)	243.71 €
2.)	MA804S002	1	Ball Bearing	6200ZZ	22.00 €
3.)	MA804S003	1	Fan Guide	PA Black	5.34 €
4.)	MA804S004UK	1	Field Assembly	(115V)	144.87 €
4.)	MA804S004	1	Field Assembly	(230V)	144.87 €
5.)	MA804S005	2	Carbon Brush Cap	7x17xφ50x22	9.63 €
6.)	MA804S006	2	Brush Spring	SUS304	1.21 €
7.)	MA804S007UK	2	Carbon Brush FP-44S2P(115V)	7X17X24XR20	22.00 €
7.)	MA804S007	2	Carbon Brush L53F13(230V)	7X17X24XR20	22.00 €
8.)	MA804S008	4	Spring Washer	φ4	0.22 €
9.)	MA804S009	1	Grease Separator Plate	PA Black	3.91 €
10.)	MA804S010	4	Self Tapping Screw	M4x12	0.77 €
11.)	MA804S011	1	Motor Housing	PA Blue	42.74 €
12.)	MA804S012	1	Motor Housing Cover	PA Black	8.86 €
13.)	MA804S013	2	Self Tapping Screw	TS4*18	0.88 €
14.)	MA804S014	1	Gear Box Cover		124.36 €
15.)	MA804S015	1	Circlip Ring	C-11	0.33 €
16.)	MA804S016	1	Ball Bearing	6001ZZ	22.00 €
17.)	MA804S017	1	Circlip Ring	28X1.2	0.94 €
18.)	MA804S018	1	Gear Box		527.62 €
19.)	MA804S019	4	Self Tapping Screw	TS4.8X40	0.55 €
20.)	MA804S020	1	Speed Selector Shaft A		7.70 €
21.)	MA804S021	1	Speed Selector Shaft B		8.97 €
22.)	MA804S022	2	Speed Selector Knob	PA Black	1.71 €
23.)	MA804S023	2	Screw	M4*25	1.38 €
24.)	MA804S024	3	External Tooth Washer	φ4	0.22 €
25.)	MA804S025	2	Washer	φ4	0.22 €
26.)	MA804S026	2	Hollow Rivet	5*18L	4.35 €
27.)	MA804S027	2	Spring	φ0.7*φ6.8*13	2.26 €
28.)	MA804S028	1	Roller Bearing IKO	RNA4900 (14*22*13n	35.31 €
29.)	MA804S029	1	Washer	φ14.3Xφ21X1mm	1.05 €
30.)	MA804S030	1	Bear Box Gasket		3.85 €
31.)	MA804S031	1	Tapered Set Pin	PIN 5X16	1.76 €
32.)	MA804S032	1	Spindle	153.6 Xφ33.9	242.33 €
33.)	MA804S033	1	Square Key	6X6X20	2.75 €
34.)	MA804S034	1	Circlip Ring	C55	4.57 €
35.)	MA804S035	1	Bearing Washer	φ35*φ55*0.5t	1.76 €
36.)	MA804S036	1	Ball Bearing	6006ZZ(30*55*13mm	33.00 €
37.)	MA804S037	2	Ball Bearing	6000ZZ (10*26*8mm)	22.00 €
38.)	MA804S038	3	Roller Bearing	HK 0810(8*12*10mm	8.14 €
39.)	MA804S039	1	First Gear Shaft (2 Speed)		112.64 €
40.)	MA804S040	1	Square Key	5*5*10	2.15 €
41.)	MA804S041	1	First Gear (Clutch)		46.09 €
42.)	MA804S042	1	Movable Clutch		46.09 €
43.)	MA804S043	4	Disc Spring	28*12.2*1	4.18 €
44.)	MA804S044	1	Washer	φ12.2*φ18*0.5t	0.39 €
45.)	MA804S045	1	Washer	φ12.2*φ18*0.3t	0.39 €
46.)	MA804S046	1	E Type Retaining Ring	E-9	0.22 €
47.)	MA804S047	1	Washer	φ12.5*φ19*1t	1.05 €
48.)	MA804S048	1	Second Gear Shaft (2 Speed)		120.95 €
49.)	MA804S049	1	Square key	5*5*28	2.81 €
50.)	MA804S050	1	Second Gear		104.28 €
51.)	MA804S051	1	Third Gear		63.42 €
52.)	MA804S052	1	Square key	6*6*40	3.41 €
53.)	MA804S053	1	Third Gear Shaft		116.77 €
54.)	MA804S054	1	Circlip Ring	47X1.75	2.31 €
55.)	MA804S055	1	Ball Bearing	6005 2RS	28.22 €
56.)	MA804S056	1	Washer	25X35X0.1	2.59 €

57.)	MA804S057	2	Self Tapping Screw	TS5x70	2.75 €
58.)	MA804S058	1	Spindle Gear		76.73 €
59.)	MA804S059	1	Circlip Ring	C-24 / 1.2	0.99 €
60.)	MA804S060	1	90Degree Tube Connector	PG9	17.99 €
61.)	MA804S061	1	Guide Rail Housing		748.83 €
62.)	MA804S062	1	Magnet	(230V)	921.14 €
62.)	MA804S062UK	1	Magnet	(115V)	921.14 €
63.)	MA804S063	1	Adjustment Rail (R)	12*414.4	69.30 €
64.)	MA804S064	1	Adjustment Rail (L)	12*414.4	69.30 €
65.)	MA804S065	1	Dovetail Rack	385*124.5*25	274.62 €
66.)	MA804S066	1	Coolant Tank		22.00 €
67.)	MA804S067	1	Control Valve		25.69 €
68.)	MA804S068	4	Hex Socket No Head Screw	M5x16	0.72 €
69.)	MA804S069	4	Hex Nut	M5	0.94 €
70.)	MA804S070	1	Tube Fitting	PG9	22.00 €
71.)	MA804S071	2	Bushing	28X32X16	5.12 €
72.)	MA804S072UK	1	Cable	2.0X3A VCT	69.30 €
72.)	MA804S072	1	Cable	1.5X3B VDE	69.30 €
73.)	MA804S073	3	Height Adjust Handl	M12*1.75	1.10 €
74.)	MA804S074	1	Height Adjustment Shaft		106.54 €
75.)	MA804S075	1	Cable Protector	PG11	22.00 €
76.)	MA804S076UK	1	Motor Switch	115V	79.59 €
76.)	MA804S076	1	Motor Switch	230V	79.59 €
77.)	MA804S077	1	Magnet Switch	230V	22.00 €
78.)	MA804S078	4	Screw	M4X8	0.55 €
79.)	MA804S079	1	Switch Holding Plate		6.11 €
80.)	MA804S080	1	Control Board (110V+220V)	6 Terminals (110V+22	93.06 €
81.)	MA804S081	1	Label		5.45 €
82.)	MA804S082	4	Hex Socket Head Screw	M8X30	4.13 €
83.)	MA804S083	4	Spring Washer	S8	0.44 €
84.)	MA804S084	1	M4X16 Flat Head Screw		1.10 €
85.)	MA804S085	2	M4 Hex Nut		0.66 €
86.)	MA804S086	1	Warning Label		1.38 €
87.)	MA804S087	1	Label 230v		1.38 €
88.)	MA804S088	1	Rack	1.5M 280mm	115.50 €
89.)	MA804S089	4	Hex Socket Head Screw	M8x25	3.85 €
90.)	MA804S090	2	Spring Washer	S6	0.33 €
91.)	MA804S091	2	Hex Socket Head Screw	M6X16	1.38 €
92.)	MA804S092	2	Set Pin	PIN 8X16	2.26 €
93.)	MA804S093	1	Stopper Pin	φ8X102mm	4.18 €
94.)	MA804S094	1	Set Pin	φ6X50mm	3.19 €
95.)	MA804S095	1	Cable Protection Tube	φ13*φ9*500mm	22.00 €
96.)	MA804S096	1	Hexagon Socket Head Cap Screw	M6x16	3.30 €
97.)	MA804S097	1	Washer	φ10.5Xφ35X1.5	1.60 €
98.)	MA804S098	10	Hex Socket Head Screw	M6x20	2.20 €
99.)	MA804S099	10	Flat WasherP6	φ6.4Xφ11X1.6	0.33 €
100.)	MA804S100	1	PU Clear Tube	φ6xφ4x400mm	9.57 €
101.)	MA804S101	1	Quick Coupling		22.00 €
102.)	MA804S102	2	Copper Washer	φ40Xφ25.5X1T	3.85 €
103.)	MA804S103	1	Compression Spring	φ14.1*130mm*φ1.6	4.46 €
104.)	MA804S104	1	Spring Bracket	φ14.5*φ10.7*9mm	3.19 €
105.)	MA804S105	1	Circlip Ring	C-19	0.61 €
106.)	MA804S106	1	MK3 Weldon 19mm Arbor	(MK3 / 19mm)	178.37 €
107.)	MA804S107	1	Circlip Ring	C-25	0.99 €
108.)	MA804S108	1	Washer	φ10.2Xφ18X1T	0.33 €
109.)	MA804S109	2	O – Ring	φ24.4Xφ3.1	7.54 €
110.)	MA804S110	1	Auto Lubrication Ring		49.39 €
111.)	MA804S111	1	PU Quick Coupling	φ4.8xφ6x18	22.00 €
112.)	MA804S112	2	Hex Socket Head Screw	M10x12	4.02 €

MagPro 80 4S | 490184

113.)	MA804S113	1	Carrying Case		198.94 €
114.)	MA804S114UK	1	Instructional Manual	115V	2.26 €
114.)	MA804S114	1	Instructional Manual	220V	2.26 €
115.)	MA804S115	1	5MM Hexagonal Wrench		1.60 €
116.)	MA804S116	1	Safety Latching Strap		44.94 €
117.)	MA804S117	1	Drill Drift Tool		35.31 €