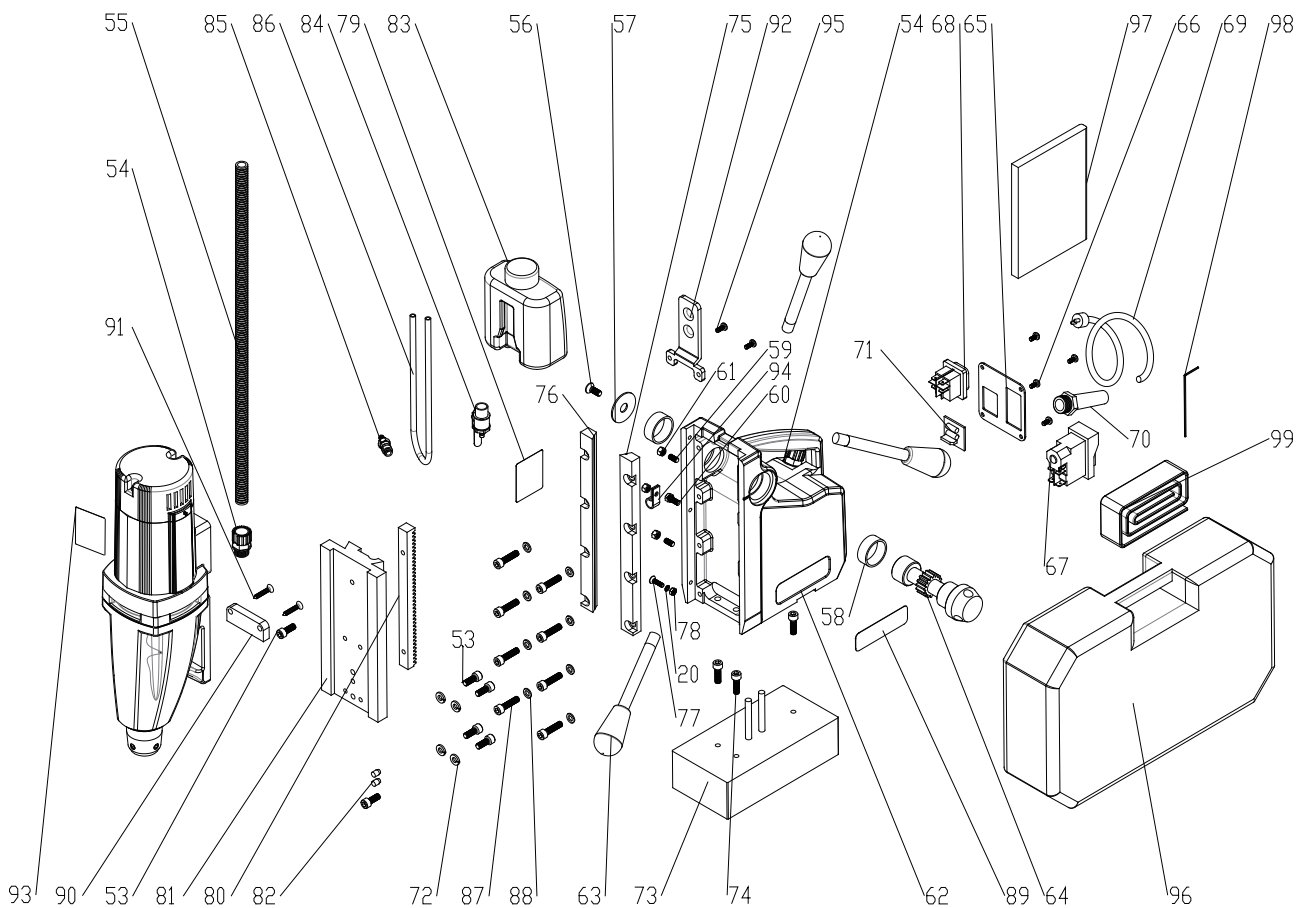
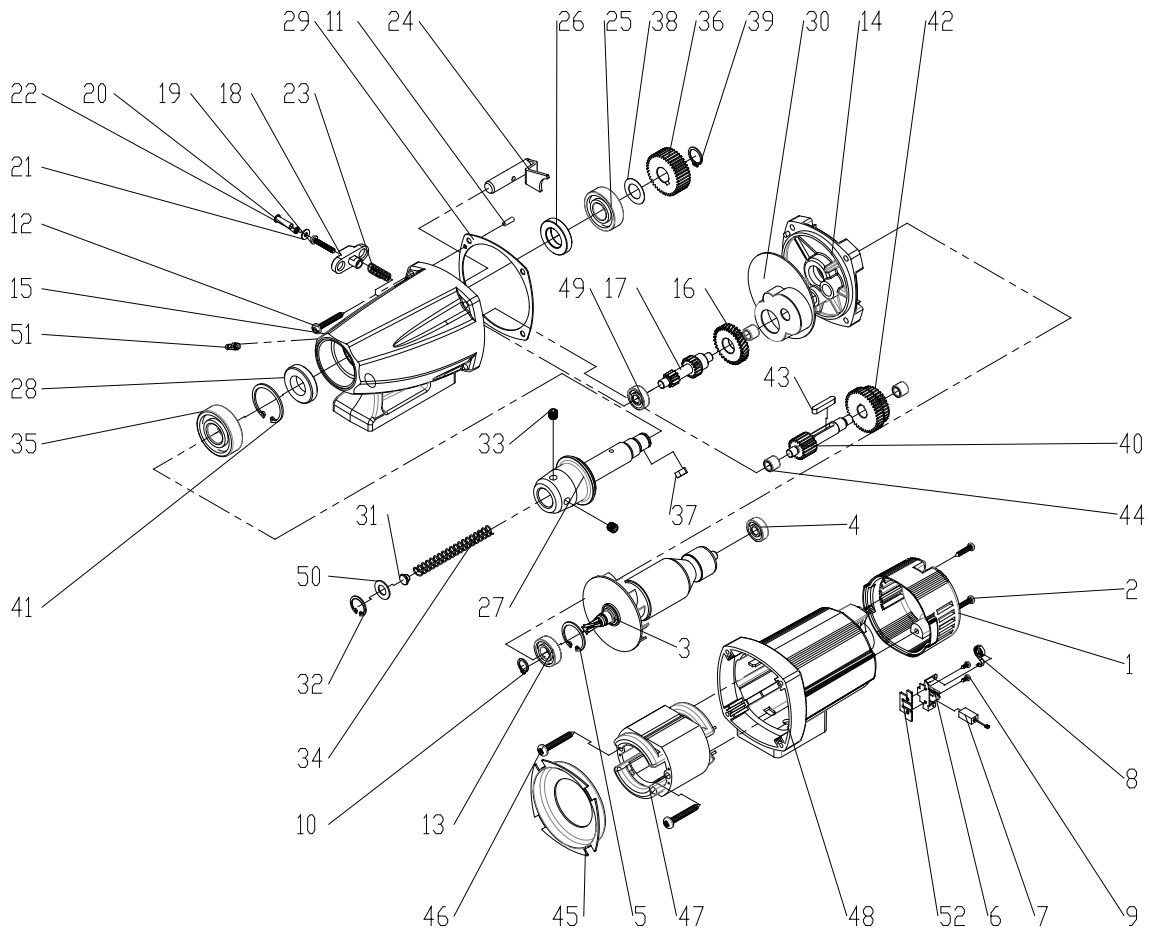


MagPro 40 2S



MagPro 40 2S | 490142

| ITEM | PART NO | Q'TY | PART NAME | | Price in € excl. VAT |
|------|------------|------|-------------------------|----------------------|----------------------|
| 1 | MA402S01 | 1 | MOTOR COVER | PA6-GF35 Black | 6.88 € |
| 2 | MA402S02 | 2 | Self Tapping Screw | TS4*18 | 0.33 € |
| 3 | MA402S03UK | 1 | Armature | (115V) | 167.59 € |
| 3 | MA402S03 | 1 | Armature | (230V) | 167.59 € |
| 4 | MA402S04 | 1 | Ball Bearing | 608ZZ | 22.00 € |
| 5 | MA402S05 | 1 | Circlip Ring | 28X1.2 (DIN 472) | 0.94 € |
| 6 | MA402S06 | 2 | Brush Holder | | 6.77 € |
| 7 | MA402S07UK | 2 | Carbon Brush | (115V) | 22.00 € |
| 7 | MA402S07 | 2 | Carbon Brush | (230V) | 22.00 € |
| 8 | MA402S08 | 2 | Brush Spring | | 2.26 € |
| 9 | MA402S09 | 4 | Self Tapping Screw | TS3X8 | 0.28 € |
| 10 | MA402S10 | 1 | Circlip Ring | C-11 | 0.33 € |
| 11 | MA402S11 | 1 | Screw | M4*12 | 1.60 € |
| 12 | MA402S12 | 4 | Self Tapping Screw | TS4.8X40 | 0.55 € |
| 13 | MA402S13 | 1 | Ball Bearing | 6001ZZ | 22.00 € |
| 14 | MA402S14 | 1 | Gear Box Cover | | 125.13 € |
| 15 | MA402S15 | 1 | Gear Box | | 338.80 € |
| 16 | MA402S16 | 1 | First Gear | 33Teeth | 73.43 € |
| 17 | MA402S17 | 1 | FIRST GEAR SHAFT | 17/11Teeth(Two Spee | 80.08 € |
| 18 | MA402S18 | 1 | Speed Selector Knob | | 1.71 € |
| 19 | MA402S19 | 1 | Screw | M4*25 | 1.38 € |
| 20 | MA402S20 | 2 | External Tooth Washer | φ4 | 0.22 € |
| 21 | MA402S21 | 1 | Flat Washer | φ4 | 0.22 € |
| 22 | MA402S22 | 1 | Hollow Rivet | 5*18L | 4.35 € |
| 23 | MA402S23 | 1 | Spring | φ0.7*φ6.8*13 | 2.26 € |
| 24 | MA402S24 | 1 | Speed Selector Shaft | | 8.97 € |
| 25 | MA402S25 | 1 | Ball Bearing | 6203 LLU | 22.00 € |
| 26 | MA402S26 | 1 | Shaft Sealing Ring | 20*35*7 | 22.00 € |
| 27 | MA402S27 | 1 | Spindle 1835 | φ20 X 132.2mm | 204.38 € |
| 28 | MA402S28 | 1 | Shaft Sealing Ring B | 20*37*8 | 22.00 € |
| 29 | MA402S29 | 1 | Gear Box Gasket | | 3.08 € |
| 30 | MA402S30 | 1 | Grease Separator Plate | | 3.25 € |
| 31 | MA402S31 | 1 | Spring Bracket | φ10.4*φ6.3*6 | 4.02 € |
| 32 | MA402S32 | 1 | Circlip Ring | C19 | 0.61 € |
| 33 | MA402S33 | 2 | Set Screw | M8*8 | 1.93 € |
| 34 | MA402S34 | 1 | Compression Spring | φ10.1*φ1*98 | 3.96 € |
| 35 | MA402S35 | 1 | Ball Bearing | 6204 LLU | 23.60 € |
| 36 | MA402S36 | 1 | Spindle Gear | 40 Teeth | 73.43 € |
| 37 | MA402S37 | 1 | Square Key | 5*5*10 | 1.05 € |
| 38 | MA402S38 | 1 | Flat Washer | φ15xφ26x0.15t | 0.44 € |
| 39 | MA402S39 | 1 | Circlip Ring Shaft | 15X1 (DIN 471) | 0.44 € |
| 40 | MA402S40 | 1 | Second Gear | 18Teeth | 65.07 € |
| 41 | MA402S41 | 1 | External Retaining Ring | 37X1.5 (DIN 471) | 1.43 € |
| 42 | MA402S42 | 1 | Second Gear | 34/40Teeth (Two Spei | 104.28 € |
| 43 | MA402S43 | 1 | Square Key | 5*5*28 | 2.81 € |
| 44 | MA402S44 | 3 | Roller Bearing | HK-0810 | 8.14 € |
| 45 | MA402S45 | 1 | Fan Guide | | 3.41 € |
| 46 | MA402S46 | 2 | Self Tapping Screw | TS5*65 | 2.20 € |
| 47 | MA402S47UK | 1 | Field Assembly | 110V | 126.23 € |
| 47 | MA402S47 | 1 | Field Assembly | 220V | 126.23 € |
| 48 | MA402S48 | 1 | Motor Housing | | 27.67 € |
| 49 | MA402S49 | 1 | Ball Bearing | 608 | 8.31 € |
| 50 | MA402S50 | 1 | Washer | 18.9*10*1T | 0.44 € |
| 51 | MA402S51 | 1 | PU Tube Fitting | φ4.8Xφ6X18 | 22.00 € |
| 52 | MA402S52 | 2 | Brush Holder Bakelite | 1.5mm Bakelite | 1.93 € |
| 53 | MA402S53 | 6 | Hex Socket Head Screw | M6*16 | 1.27 € |
| 54 | MA402S54 | 2 | Tube Fitting | PG9 | 22.00 € |
| 55 | MA402S55 | 1 | Cable Protection Tube | φ13*φ9*470mm | 22.00 € |

MagPro 40 2S | 490142

| | | | | | |
|----|------------|---|-------------------------------|-----------------------|----------|
| 56 | MA402S56 | 1 | Hexagon Socket Head Cap Screw | M6*16 (ISO 7047) | 1.10 € |
| 57 | MA402S57 | 1 | Washer | φ10.5 x φ35 x 1.5 | 1.60 € |
| 58 | MA402S58 | 2 | Bushing | φ28 x φ32 x 12 | 5.12 € |
| 59 | MA402S59 | 2 | Hex Socket No Head Screw | M5x12 | 0.66 € |
| 60 | MA402S60 | 1 | Hex Socket No Head Screw | M5x16 | 0.72 € |
| 61 | MA402S61 | 4 | Hex Nut | M5 | 0.94 € |
| 62 | MA402S62 | 1 | Guide Rail Housing | | 435.05 € |
| 63 | MA402S63 | 3 | Height Adjust Handle | | 21.18 € |
| 64 | MA402S64 | 1 | Height Adjustment Shaft | | 84.37 € |
| 65 | MA402S65 | 1 | Switch Holding Plate | | 6.11 € |
| 66 | MA402S66 | 4 | Screw | M4*8 | 0.66 € |
| 67 | MA402S67UK | 1 | Motor Switch | 110v | 79.59 € |
| 67 | MA402S67 | 1 | Motor Switch | 220v | 79.59 € |
| 68 | MA402S68 | 1 | Magnet Switch | | 22.00 € |
| 69 | MA402S69UK | 1 | Cable | 110V (SJ) | 69.30 € |
| 69 | MA402S69 | 1 | Cable | 230V (VDE) | 69.30 € |
| 70 | MA402S70 | 1 | Cable Protector | PG11 | 22.00 € |
| 71 | MA402S71 | 1 | Control Board | 6 Terminals (110V+22 | 93.06 € |
| 72 | MA402S72 | 4 | Spring Washer | S6(T=1mm) | 0.88 € |
| 73 | MA402S73UK | 1 | Magnet | 220V | 523.60 € |
| 73 | MA402S73 | 1 | Magnet | 115V | 523.60 € |
| 74 | MA402S74 | 3 | Hex Head Socket Screw | M6x20 | 1.32 € |
| 75 | MA402S75 | 1 | Adjustment Rail (R) | 12*228mm | 39.77 € |
| 76 | MA402S76 | 1 | Adjustment Rail (L) | 12*228mm | 39.77 € |
| 77 | MA402S77 | 1 | Flat Head Screw | M4X16 | 1.10 € |
| 78 | MA402S78 | 2 | Hex Nut | M4 | 0.88 € |
| 79 | MA402S79 | 1 | Warning Label | | 9.96 € |
| 80 | MA402S80 | 1 | Rack | M1.5X37 Teeth 180M | 89.82 € |
| 81 | MA402S81 | 1 | Dovetail Rack | 85MM X 200MM | 140.53 € |
| 82 | MA402S82 | 2 | Set Pin | 6 pcs M6 x 10 (DIN 63 | 1.65 € |
| 83 | MA402S83 | 1 | Coolant Tank | | 22.00 € |
| 84 | MA402S84 | 1 | Control Valve | | 25.69 € |
| 85 | MA402S85 | 1 | Quick Set Coupling | | 22.00 € |
| 86 | MA402S86 | 1 | PU Clear Tube | φ6Xφ4X300mm | 6.11 € |
| 87 | MA402S87 | 8 | Hex Socket Head Screw | M6x25(Head Height 4 | 2.75 € |
| 88 | MA402S88 | 8 | Flat Washer | φ6.4Xφ11X 1.6 | 1.05 € |
| 89 | MA402S89 | 1 | Label | MagPro-230V | 5.45 € |
| 90 | MA402S90 | 1 | Wire Cover | | 5.45 € |
| 91 | MA402S91 | 2 | Flat Head Self Tapping Screw | M4*25 | 1.49 € |
| 92 | MA402S92 | 1 | Coolant Tank Set Plate | | 7.59 € |
| 93 | MA402S93 | 1 | Speed Label | MagPro-230V | 1.27 € |
| 94 | MA402S94 | 1 | Coolant Hose Guide | | 0.61 € |
| 95 | MA402S95 | 2 | Screw | M4*10 | 0.77 € |
| 96 | MA402S96 | 1 | Carrying Case | ACC3-B | 157.19 € |
| 97 | MA402S97UK | 1 | Instruction Manual | 115V | 2.26 € |
| 97 | MA402S97 | 1 | Instruction Manual | 220V | 2.26 € |
| 98 | MA402S98 | 1 | Hexagonal Wrench | 4MM | 1.60 € |
| 99 | MA402S99 | 1 | Safety Latching Strap | | 44.94 € |