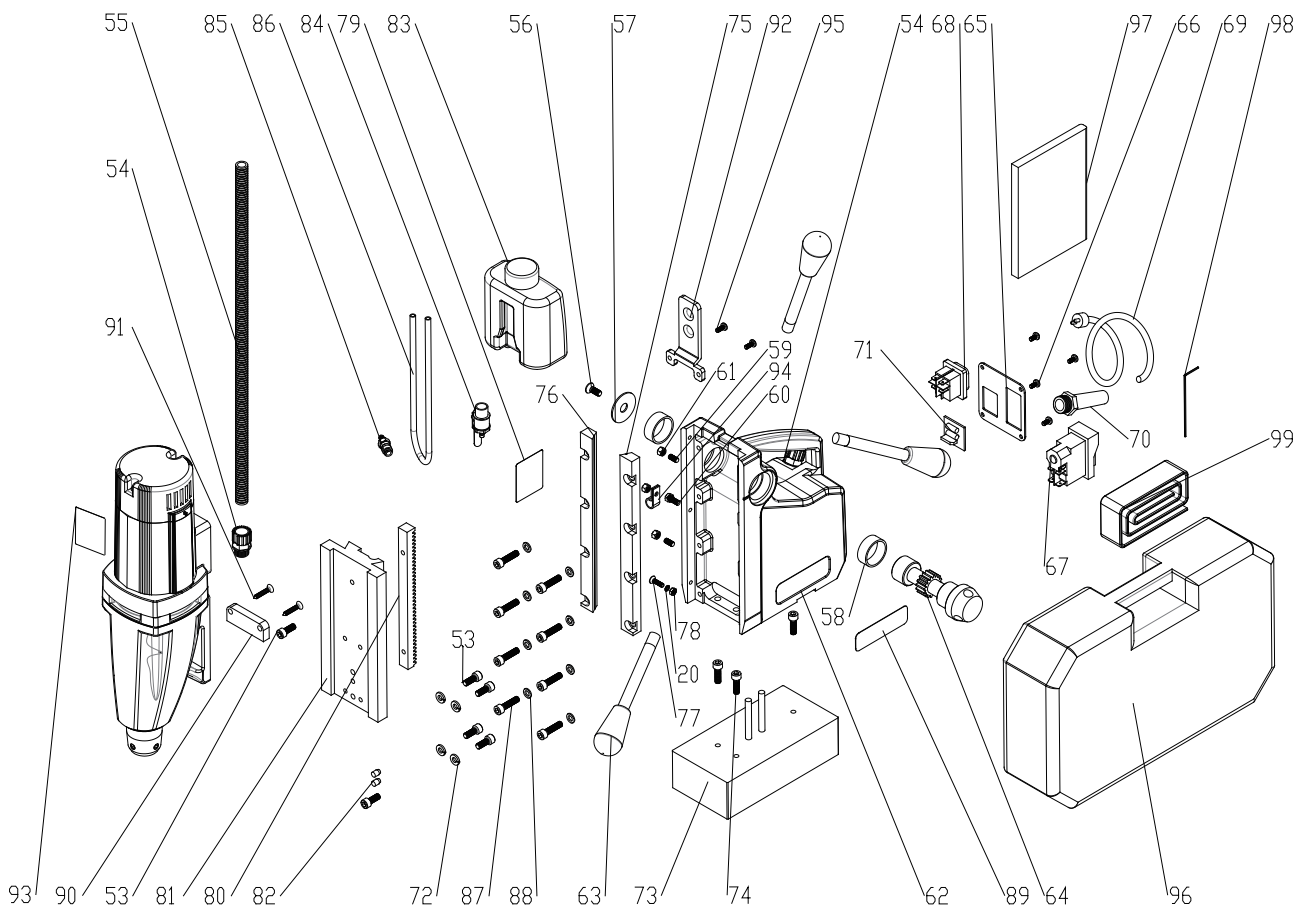
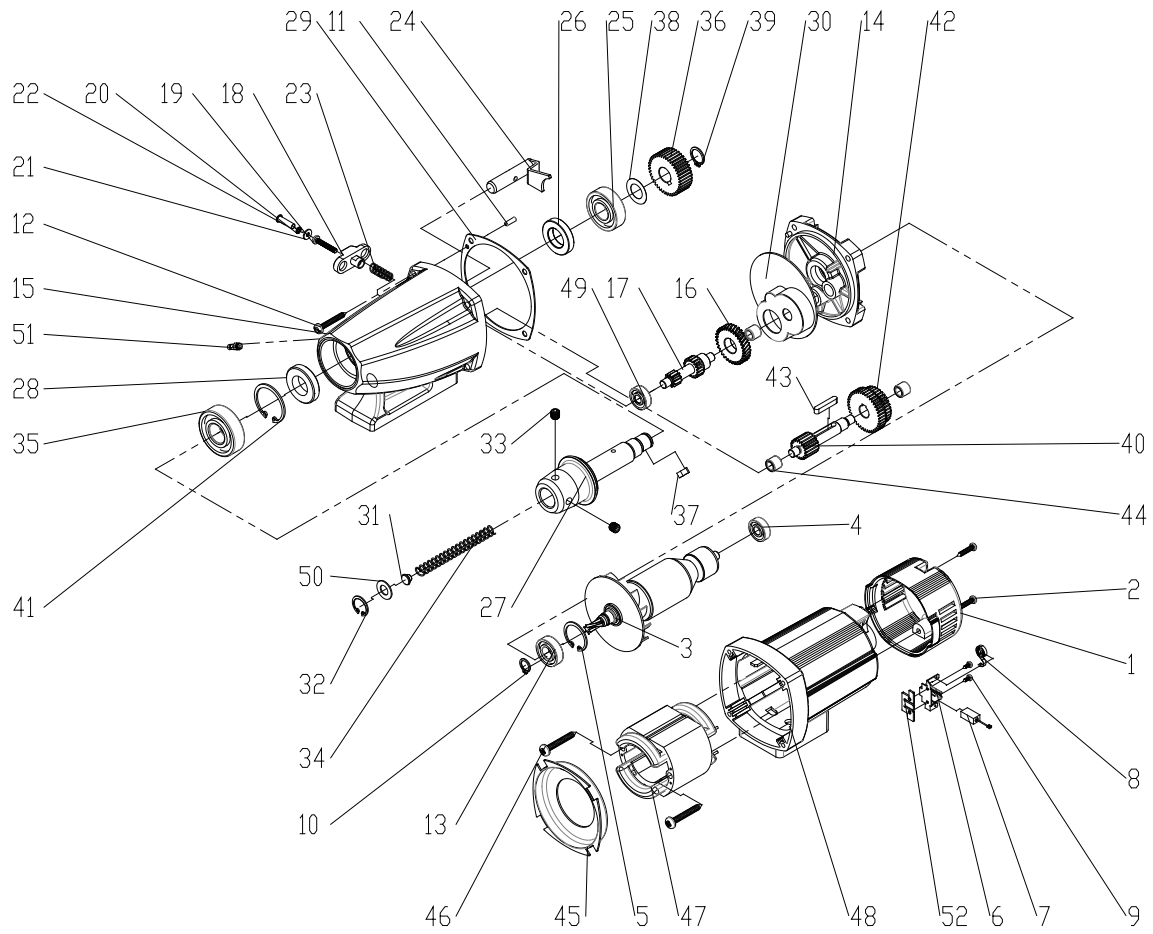


**MagPro 40 2S**



# MagPro 40 2S | 490142

ITEM	PART NO	Q'TY	PART NAME		Price in € excl. VAT
1	MA402S01	1	MOTOR COVER	PA6-GF35 Black	6.25 €
2	MA402S02	2	Self Tapping Screw	TS4*18	0.30 €
3	MA402S03UK	1	Armature	(115V)	152.35 €
3	MA402S03	1	Armature	(230V)	152.35 €
4	MA402S04	1	Ball Bearing	608ZZ	20.00 €
5	MA402S05	1	Circlip Ring	28X1.2 (DIN 472)	0.85 €
6	MA402S06	2	Brush Holder		6.15 €
7	MA402S07UK	2	Carbon Brush	(115V)	20.00 €
7	MA402S07	2	Carbon Brush	(230V)	20.00 €
8	MA402S08	2	Brush Spring		2.05 €
9	MA402S09	4	Self Tapping Screw	TS3X8	0.25 €
10	MA402S10	1	Circlip Ring	C-11	0.30 €
11	MA402S11	1	Screw	M4*12	1.45 €
12	MA402S12	4	Self Tapping Screw	TS4.8X40	0.50 €
13	MA402S13	1	Ball Bearing	6001ZZ	20.00 €
14	MA402S14	1	Gear Box Cover		113.75 €
15	MA402S15	1	Gear Box		308.00 €
16	MA402S16	1	First Gear	33Teeth	66.75 €
17	MA402S17	1	FIRST GEAR SHAFT	17/11Teeth(Two Spee	72.80 €
18	MA402S18	1	Speed Selector Knob		1.55 €
19	MA402S19	1	Screw	M4*25	1.25 €
20	MA402S20	2	External Tooth Washer	φ4	0.20 €
21	MA402S21	1	Flat Washer	φ4	0.20 €
22	MA402S22	1	Hollow Rivet	5*18L	3.95 €
23	MA402S23	1	Spring	φ0.7*φ6.8*13	2.05 €
24	MA402S24	1	Speed Selector Shaft		8.15 €
25	MA402S25	1	Ball Bearing	6203 LLU	20.00 €
26	MA402S26	1	Shaft Sealing Ring	20*35*7	20.00 €
27	MA402S27	1	Spindle 1835	φ20 X 132.2mm	185.80 €
28	MA402S28	1	Shaft Sealing Ring B	20*37*8	20.00 €
29	MA402S29	1	Gear Box Gasket		2.80 €
30	MA402S30	1	Grease Separator Plate		2.95 €
31	MA402S31	1	Spring Bracket	φ10.4*φ6.3*6	3.65 €
32	MA402S32	1	Circlip Ring	C19	0.55 €
33	MA402S33	2	Set Screw	M8*8	1.75 €
34	MA402S34	1	Compression Spring	φ10.1*φ1*98	3.60 €
35	MA402S35	1	Ball Bearing	6204 LLU	21.45 €
36	MA402S36	1	Spindle Gear	40 Teeth	66.75 €
37	MA402S37	1	Square Key	5*5*10	0.95 €
38	MA402S38	1	Flat Washer	φ15xφ26x0.15t	0.40 €
39	MA402S39	1	Circlip Ring Shaft	15X1 (DIN 471)	0.40 €
40	MA402S40	1	Second Gear	18Teeth	59.15 €
41	MA402S41	1	External Retaining Ring	37X1.5 (DIN 471)	1.30 €
42	MA402S42	1	Second Gear	34/40Teeth (Two Spei	94.80 €
43	MA402S43	1	Square Key	5*5*28	2.55 €
44	MA402S44	3	Roller Bearing	HK-0810	7.40 €
45	MA402S45	1	Fan Guide		3.10 €
46	MA402S46	2	Self Tapping Screw	TS5*65	2.00 €
47	MA402S47UK	1	Field Assembly	110V	114.75 €
47	MA402S47	1	Field Assembly	220V	114.75 €
48	MA402S48	1	Motor Housing		25.15 €
49	MA402S49	1	Ball Bearing	608	7.55 €
50	MA402S50	1	Washer	18.9*10*1T	0.40 €
51	MA402S51	1	PU Tube Fitting	φ4.8Xφ6X18	20.00 €
52	MA402S52	2	Brush Holder Bakelite	1.5mm Bakelite	1.75 €
53	MA402S53	6	Hex Socket Head Screw	M6*16	1.15 €
54	MA402S54	2	Tube Fitting	PG9	20.00 €
55	MA402S55	1	Cable Protection Tube	φ13*φ9*470mm	20.00 €

# MagPro 40 2S | 490142

56	MA402S56	1	Hexagon Socket Head Cap Screw	M6*16 (ISO 7047)	1.00 €
57	MA402S57	1	Washer	φ10.5 x φ35 x 1.5	1.45 €
58	MA402S58	2	Bushing	φ28 x φ32 x 12	4.65 €
59	MA402S59	2	Hex Socket No Head Screw	M5x12	0.60 €
60	MA402S60	1	Hex Socket No Head Screw	M5x16	0.65 €
61	MA402S61	4	Hex Nut	M5	0.85 €
62	MA402S62	1	Guide Rail Housing		395.50 €
63	MA402S63	3	Height Adjust Handle		19.25 €
64	MA402S64	1	Height Adjustment Shaft		76.70 €
65	MA402S65	1	Switch Holding Plate		5.55 €
66	MA402S66	4	Screw	M4*8	0.60 €
67	MA402S67UK	1	Motor Switch	110v	72.35 €
67	MA402S67	1	Motor Switch	220v	72.35 €
68	MA402S68	1	Magnet Switch		20.00 €
69	MA402S69UK	1	Cable	110V (SJ)	63.00 €
69	MA402S69	1	Cable	230V (VDE)	63.00 €
70	MA402S70	1	Cable Protector	PG11	20.00 €
71	MA402S71	1	Control Board	6 Terminals (110V+22	84.60 €
72	MA402S72	4	Spring Washer	S6(T=1mm)	0.80 €
73	MA402S73UK	1	Magnet	220V	476.00 €
73	MA402S73	1	Magnet	115V	476.00 €
74	MA402S74	3	Hex Head Socket Screw	M6x20	1.20 €
75	MA402S75	1	Adjustment Rail (R)	12*228mm	36.15 €
76	MA402S76	1	Adjustment Rail (L)	12*228mm	36.15 €
77	MA402S77	1	Flat Head Screw	M4X16	1.00 €
78	MA402S78	2	Hex Nut	M4	0.80 €
79	MA402S79	1	Warning Label		9.05 €
80	MA402S80	1	Rack	M1.5X37 Teeth 180M	81.65 €
81	MA402S81	1	Dovetail Rack	85MM X 200MM	127.75 €
82	MA402S82	2	Set Pin	6 pcs M6 x 10 (DIN 63	1.50 €
83	MA402S83	1	Coolant Tank		20.00 €
84	MA402S84	1	Control Valve		23.35 €
85	MA402S85	1	Quick Set Coupling		20.00 €
86	MA402S86	1	PU Clear Tube	φ6Xφ4X300mm	5.55 €
87	MA402S87	8	Hex Socket Head Screw	M6x25(Head Height 4	2.50 €
88	MA402S88	8	Flat Washer	φ6.4Xφ11X 1.6	0.95 €
89	MA402S89	1	Label	MagPro-230V	4.95 €
90	MA402S90	1	Wire Cover		4.95 €
91	MA402S91	2	Flat Head Self Tapping Screw	M4*25	1.35 €
92	MA402S92	1	Coolant Tank Set Plate		6.90 €
93	MA402S93	1	Speed Label	MagPro-230V	1.15 €
94	MA402S94	1	Coolant Hose Guide		0.55 €
95	MA402S95	2	Screw	M4*10	0.70 €
96	MA402S96	1	Carrying Case	ACC3-B	142.90 €
97	MA402S97UK	1	Instruction Manual	115V	2.05 €
97	MA402S97	1	Instruction Manual	220V	2.05 €
98	MA402S98	1	Hexagonal Wrench	4MM	1.45 €
99	MA402S99	1	Safety Latching Strap		40.85 €